

Note

TRI+ represents the interface between the TRI dental implant system and the 3Shape CAD/CAM system. The following instructions are intended only for users who are familiar with the 3Shape CAD/CAM system.

Scope

- CAD abutments
- Cement retained TRI implant crowns and bridges
- Screw retained TRI implant bars and bridges

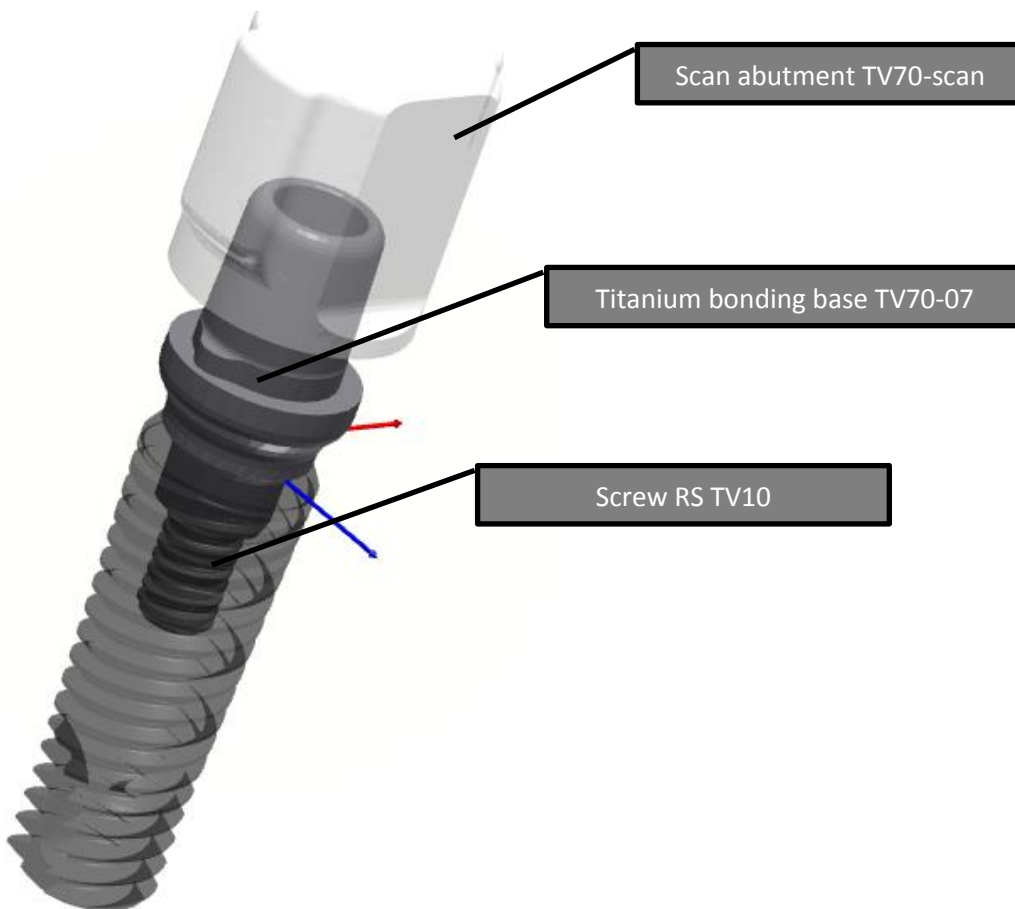
Process Description

Cement Retained Restorations

Cement retained restorations on TRI implants are based on the TRI TV70 titanium bonding bases.

There are two abutment kits available for 3Shape users:

1. TV70-07 (height 0.7mm)
2. TV70-20 (height 2.0 mm)



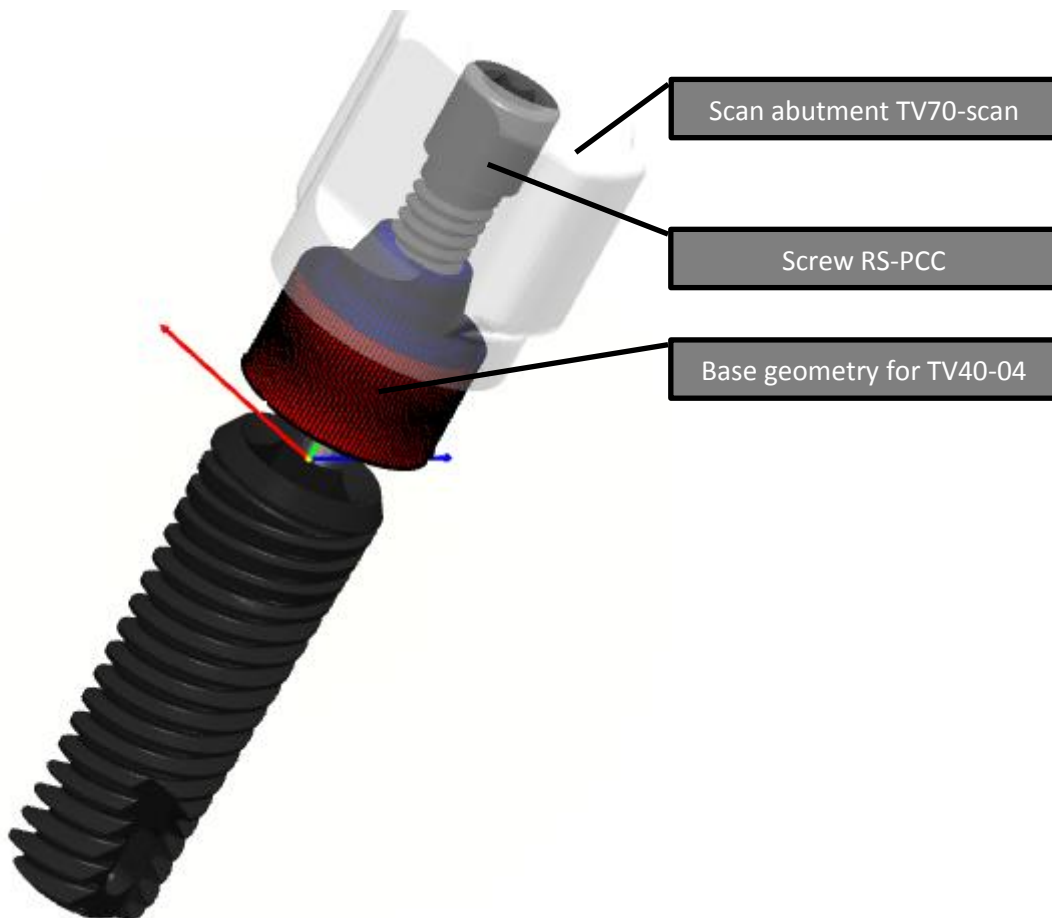
Example: abutment kit for TV70-07

Screw Retained Restorations

Screw retained restorations on TRI implants are based on the TRI TV40 and TV50 screw retained abutments.

There are four abutment kits available for 3Shape users:

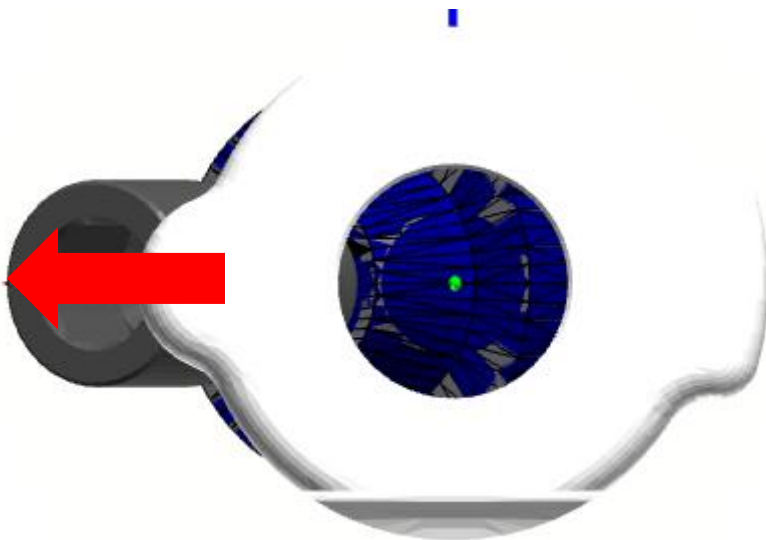
1. TV40-01
2. TV40-02
3. TV40-04
4. TV40-06
5. TV50



Example: abutment kit for TV40-04



Example: abutment kit for TV50-34-F



Important Note: the TV50-34-F abutment is asymmetrical due to the angulation. Please use the above specified orientation of the scanbody.

Required Articles from TRI Implants

TV70-07	Titanium Bonding-Base with TRI®-Friction
TV70-20	Titanium Bonding-Base with TRI®-Friction
TV70-Scan	Scanbody for Laboratory and Intraoral Scanner
TV40-01	Screw-Retained Abutment, Straight, 1mm
TV40-02	Screw-Retained Abutment, Straight, 2mm
TV40-04	Screw-Retained Abutment, Straight, 4mm
TV40-06	Screw-Retained Abutment, Straight, 6mm
RS-PCC	Replacement Retaining Screw for PCC
TV50-34-F	Screw Retained Abutment - Angulated 30° - Ø 4.5mm - 4.7mm

Downloads

Please request the following 3shape file at digital@tri-implants.com and upload into your 3Shape software.

For support, please contact: digital@tri-implants.com