

TRI ACADEMY



Cement Retained Restorations

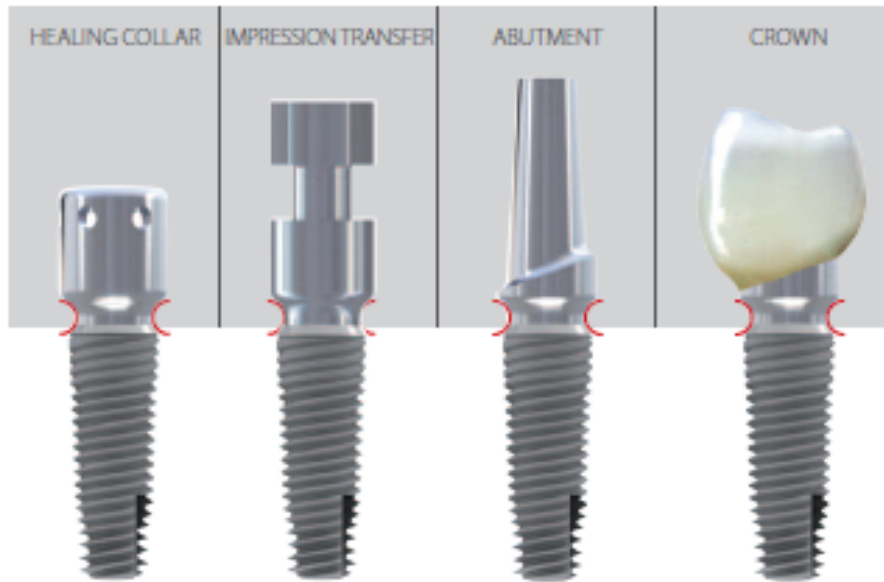
Version 2

Through Research Innovative
www.tri-implants.com

Cemented Retained Prosthetic

TRI®- Narrow, TRI®- Vent & TRI®- Octa

CONSISTENT EMERGENCE PROFILE



The of Soft Tissue Concept of TRI® -Dental Implants following are all cemented components in a consistent emergence profile available.

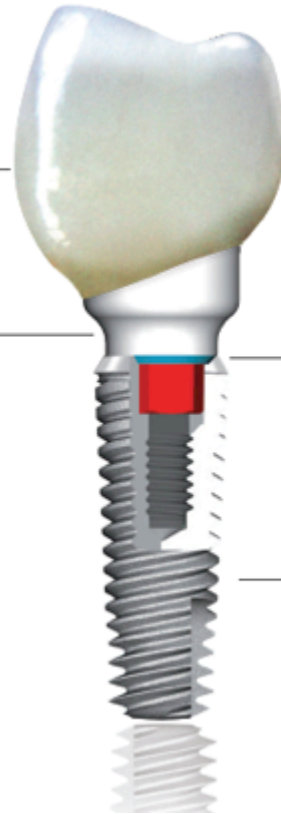
Torques

Torques to be used with the TRI® Dental Implant System



20Ncm
Screw-retained restorations
on top of abutment

30Ncm
Abutments engaging
with implant



15Ncm
Cover screw and healing
components

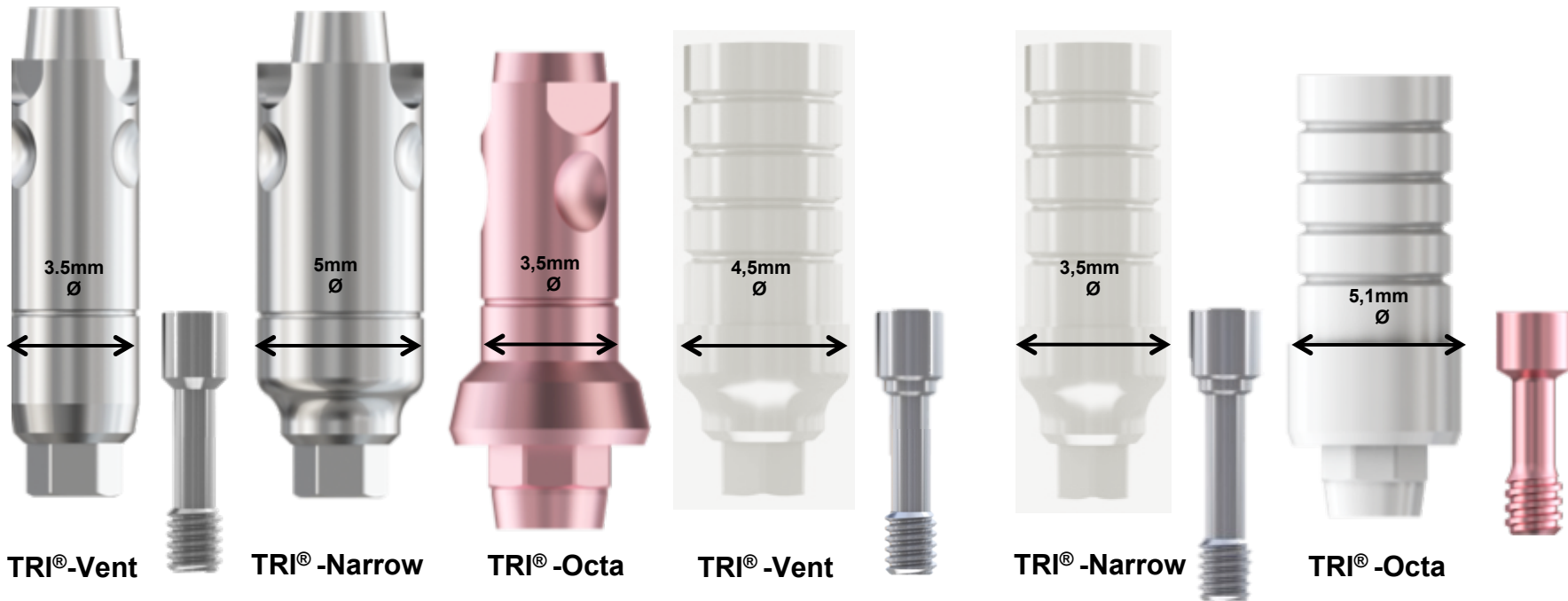
40Ncm
Implant Insertion max.

Cemented Retained Prosthetic

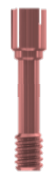
Temporary treatment - options

Titanium – straight abutment

Plastic – straight temporary abutment



Replacement retaining screw - lab use
• green



Replacement retaining screw - lab use
• red

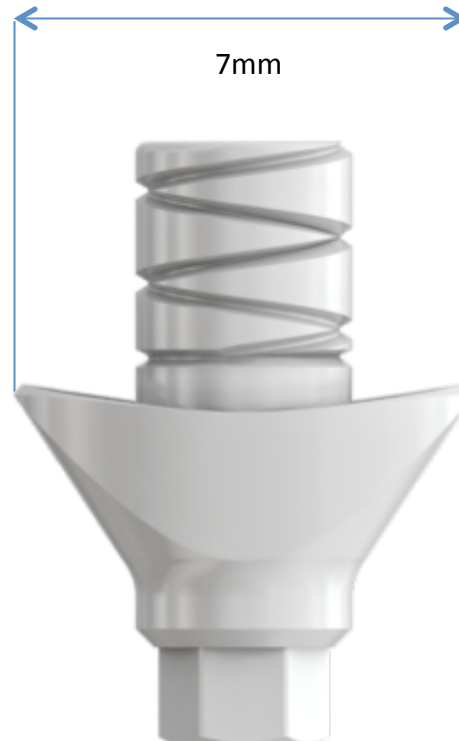
Cemented Retained Prosthetic

Temporary treatment – options

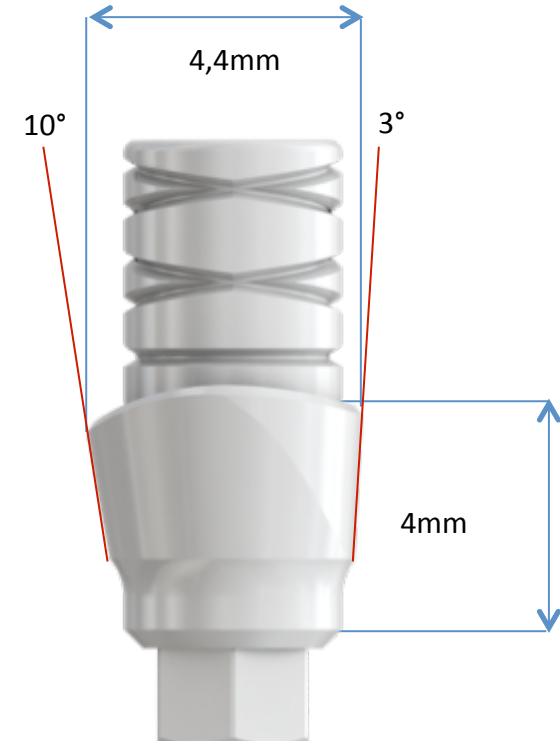
Esthetic Healing Abutment



TV10-EHA-50



TV10-EHA-70



Lateral View

Cemented Retained Prosthetic

Temporary treatment – options

Esthetic Healing Abutment

- Anatomical and esthetic shaping of the gingiva – the natural tooth is not round.



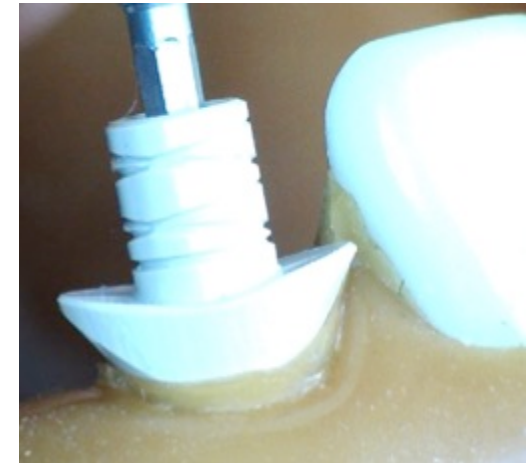
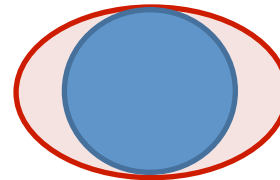
Oval socket after extraction.



Ready- made ovale healing collar.



Oval socket with round standard healing collar.



Cemented Retained Prosthetic

Temporary treatment – options

Esthetic Healing Abutment



- Healing Collar and temporary abutment
- Material: PEEK (Polyetheretherketon)
- Indicated for 90 days



Abutment area - with non-parallel groove, for better protection against twisting..



Healing collar area - with anatomical shape.

Cemented Retained Prosthetic

Temporary treatment – options

Esthetic Healing Abutment

- Healing Collar - Only



- Material: PEEK
(Polyetheretherketon)
- Indicated for 90 days

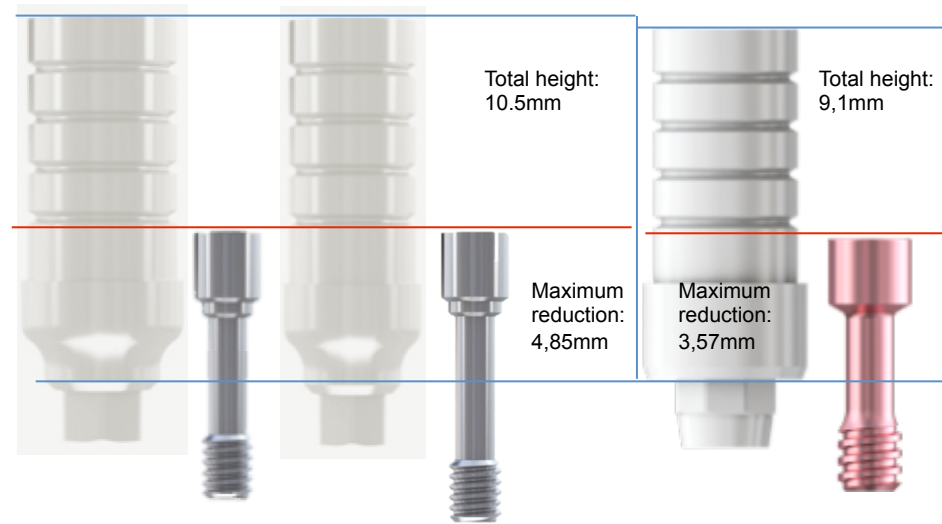
The material PEEK
can be easily grinded
with a dental shaper.

Cemented Retained Prosthetic

Temporary treatment

Plastic Temporary Abutment & Esthetic Healing Abutment

- Material: PEEK (Polyetheretherketon)
- Indicated for 90 days



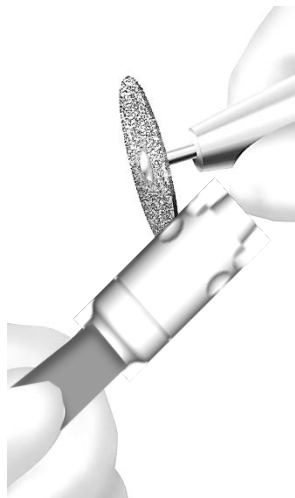
Cemented Retained Prosthetic

Temporary or permanent treatment –
TRI[®]-Vent & TRI[®]-Octa

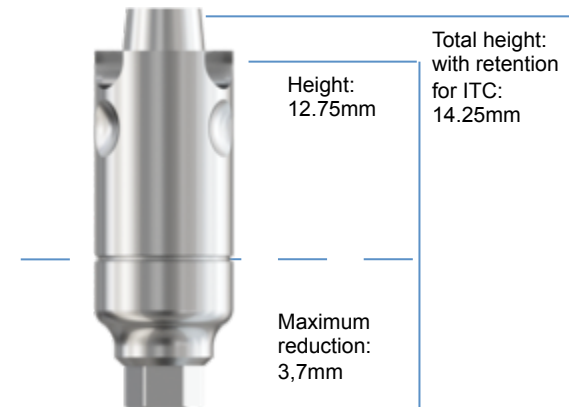
Transfer and Straight Abutment incl. ITC



- Long term temporary treatment
- Final treatment



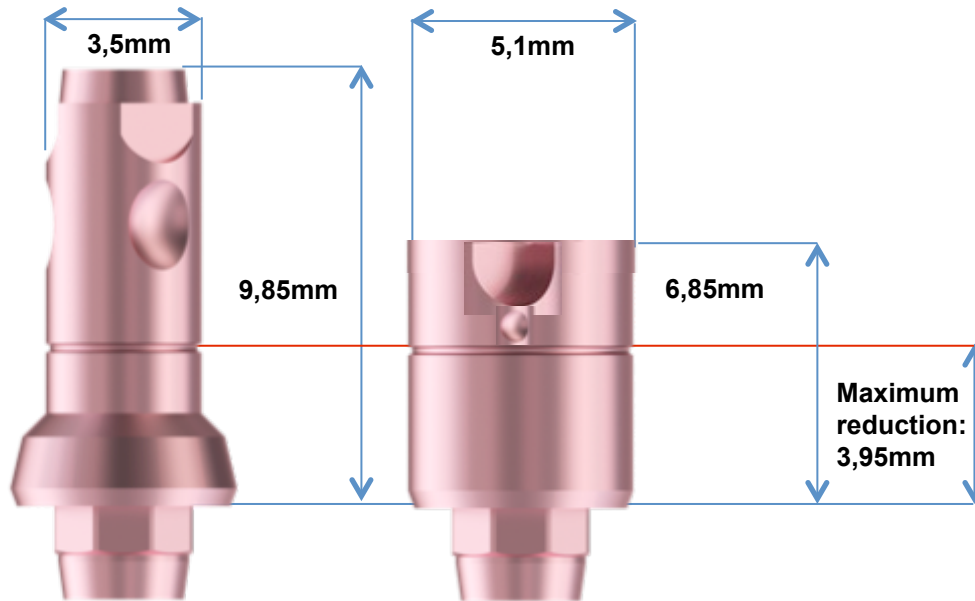
Preparation the
straight abutment
with abutment holder TVAH



Cemented Retained Prosthetic

Temporary or permanent treatment –
TRI®-Vent & TRI®-Octa

Transfer and Straight Abutment, incl. ITC



TO10-35-ITC

TO10-51-ITC

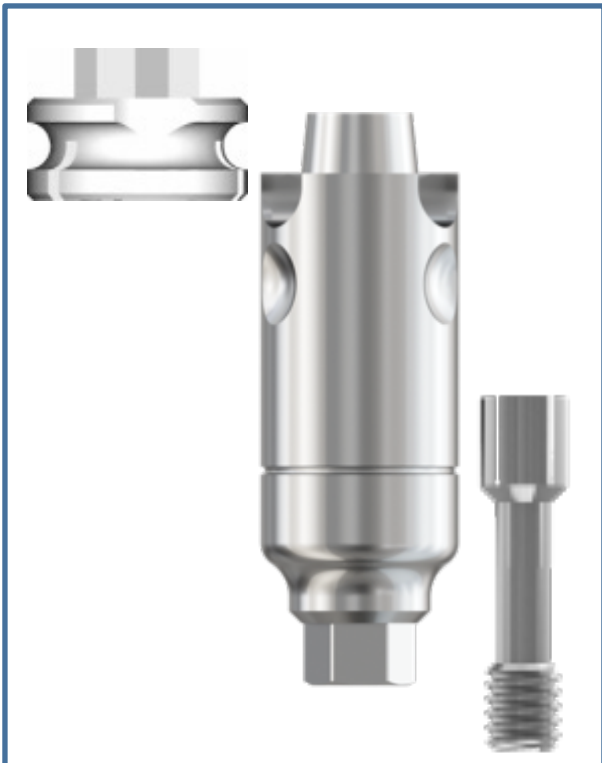


ITC

Cemented Retained Prosthetic

Temporary or permanent treatment –
TRI®-Vent & TRI®-Octa

Transfer and Straight Abutment, incl. ITC



- This universal abutment can be used as an impression post, temporary and/or final abutment without TRI® - Friction.

List price single:
TV10-35-ITC or TV10-50-ITC: 65 €
Implant 125 €
Total 190 €

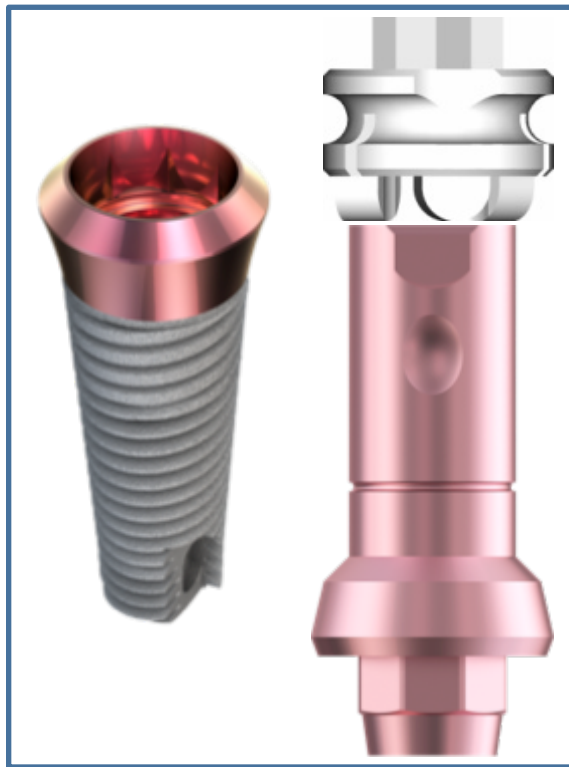
Packet-Price 145 €

Saving customer 45 €

Cemented Retained Prosthetic

Temporary or permanent treatment –
TRI®-Vent & TRI®-Octa

Transfer and Straight Abutment, incl. ITC



- This universal abutment can be used as an impression post, temporary and/or final abutment.

List price single:	
TO10-35-ITC or TO10-51-ITC:	65 €
Implant	125 €
Total	190 €
Packet-Price	145 €
Saving customer	45 €



Cemented Retained Prosthetic

Temporary or permanent treatment

Product catalog: page 4, 5, 9, 11 & 12

PLASTIC TEMPORARY ABUTMENTS - INCLUDES SCREW RS-TV20

Catalog Number		Ø	Material	Qty
TV10-PTA	Temporary Abutment, Straight	4.5 mm	PEEK	1
RS-TV20	Replacement Retaining Screw		Ti-6Al-4V	1
RS-TV20-Lab	Replacement Retaining Screw - Lab Use - Red		Ti-6Al-4V	1



TV10-PTA

INDIRECT TRANSFER / STRAIGHT ABUTMENT FOR CLOSED-TRAY IMPRESSIONS

CLOSED-TRAY IMPRESSIONS - INCLUDES SCREW RS-TV10 AND IMPRESSION CAP ITC

Catalog Number		Ø	Material	Qty
TV10-35-ITC	Transfer and Straight Abutment	3.5 mm	Ti-6Al-4V	1
TV10-50-ITC	Transfer and Straight Abutment	5.0 mm	Ti-6Al-4V	1
ITC	Indirect Transfer Cap		PCM	5
RS-TV10	Replacement Retaining Screw		Ti-6Al-4V	1
RS-TV10-Lab	Replacement Retaining Screw - Lab Use - Green		Ti-6Al-4V	1



TV10-35



TV10-50



ITC

PLASTIC TEMPORARY ABUTMENTS - INCLUDES SCREW RS-TN20

Catalog Number		Ø	Material	Qty
TN10-PTA	Temporary Abutment, Straight	3.5 mm	PEEK	1
RS-TN20	Replacement Retaining Screw		Ti-6Al-4V	1
RS-TN20-Lab	Replacement Retaining Screw - Lab Use - Red		Ti-6Al-4V	1



TN10-PTA

PLASTIC TEMPORARY ABUTMENTS - INCLUDES SCREW RS-TO

Catalog Number		Ø	Material	Qty
TO10-PTA	Temporary Abutment, Straight	5.1 mm	PEEK	1
RS-TO	Replacement Retaining Screw		Ti-6Al-4V	1



TO10-PTA

INDIRECT TRANSFER / STRAIGHT ABUTMENT FOR CLOSED-TRAY IMPRESSIONS

INCLUDES SCREW RS-TO10 AND IMPRESSION CAP ITC

Catalog Number		Ø	Material	Qty
TO10-35-ITC	Transfer and Straight Abutment	3.5 mm	Ti-6Al-4V	1
TO10-51-ITC	Transfer and Straight Abutment	5.1 mm	Ti-6Al-4V	1
DTRS-TO05	Direct Transfer Retaining Screw		Ti-6Al-4V	1
ITC	Indirect Transfer Cap		PCM	5
RS-TO	Replacement Retaining Screw		Ti-6Al-4V	1



TO10-35-ITC



TO10-51-ITC



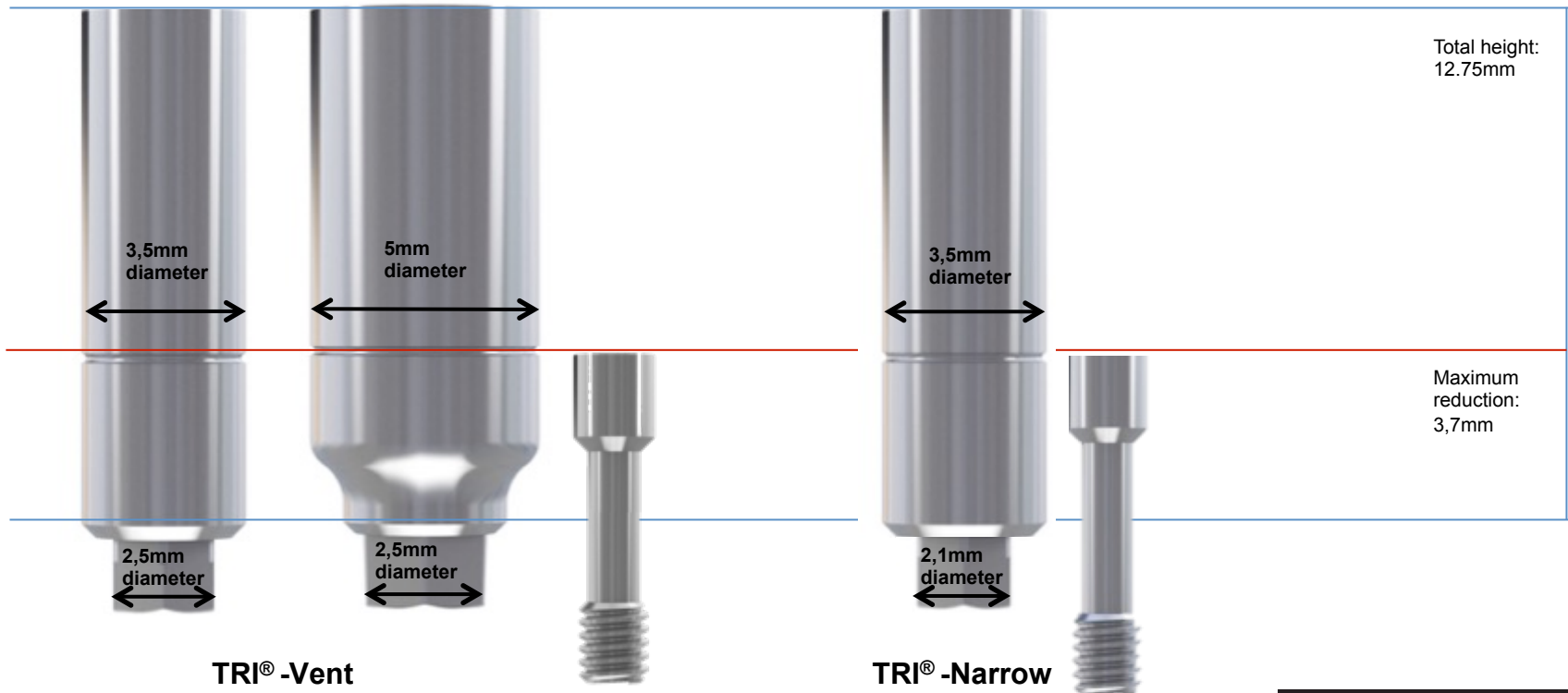
ITC

Cemented Retained Prosthetic

Permanent treatment – TRI[®]-Vent & TRI[®]-Narrow



Straight abutments, with TRI[®] - Friction



Replacement retaining screws - lab use

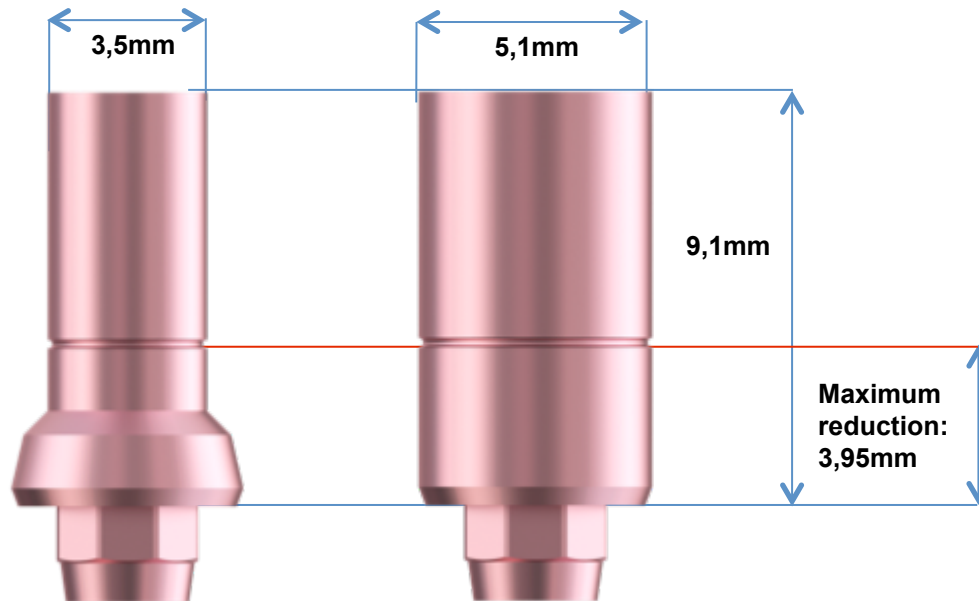
- Green



Cemented Retained Prosthetic

Permanent treatment – TRI[®]-Octa

- Available in two Emergence Profiles
- One Height



TO10-35

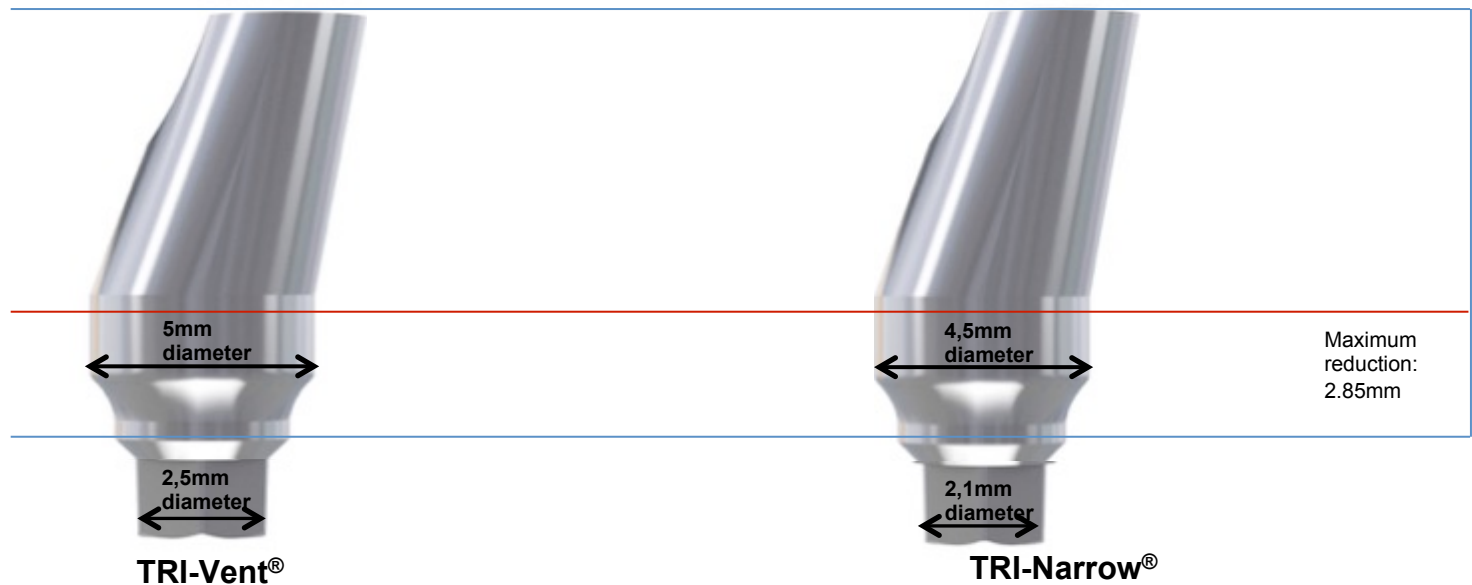
TO10-51

Cemented Retained Prosthetic

Permanent treatment – TRI[®]-Vent & TRI[®]-Narrow



Standart 20° angled abutments, with TRI[®] - Friction



Replacement retaining screw - lab use

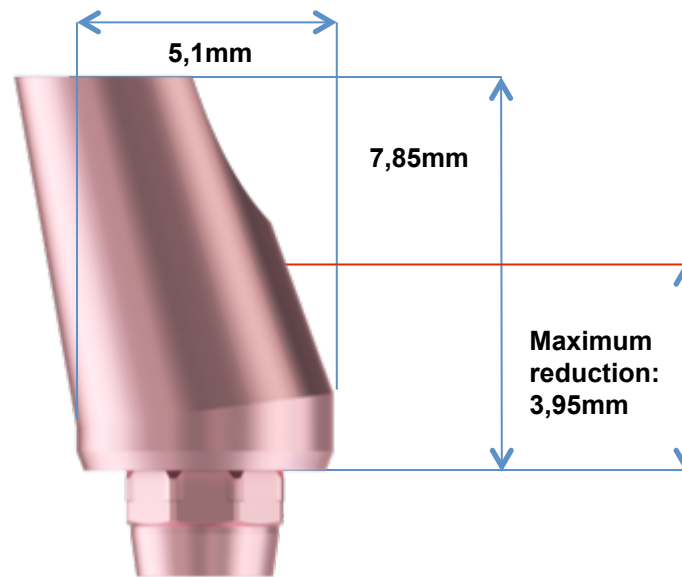
- Red



Cemented Retained Prosthetic

Permanent treatment – TRI[®]-Octa

- Available in one Emergence Profile 5,1mm.



TO20-51-F

Cemented Retained Prosthetic

Permanent treatment

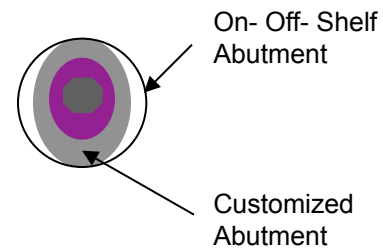
The diameter (emergence profile)



Cemented Retained Prosthetic

Permanent treatment

The diameter (emergence profile)



Cemented Retained Prosthetic

Permanent treatment

The diameter (emergence profile)

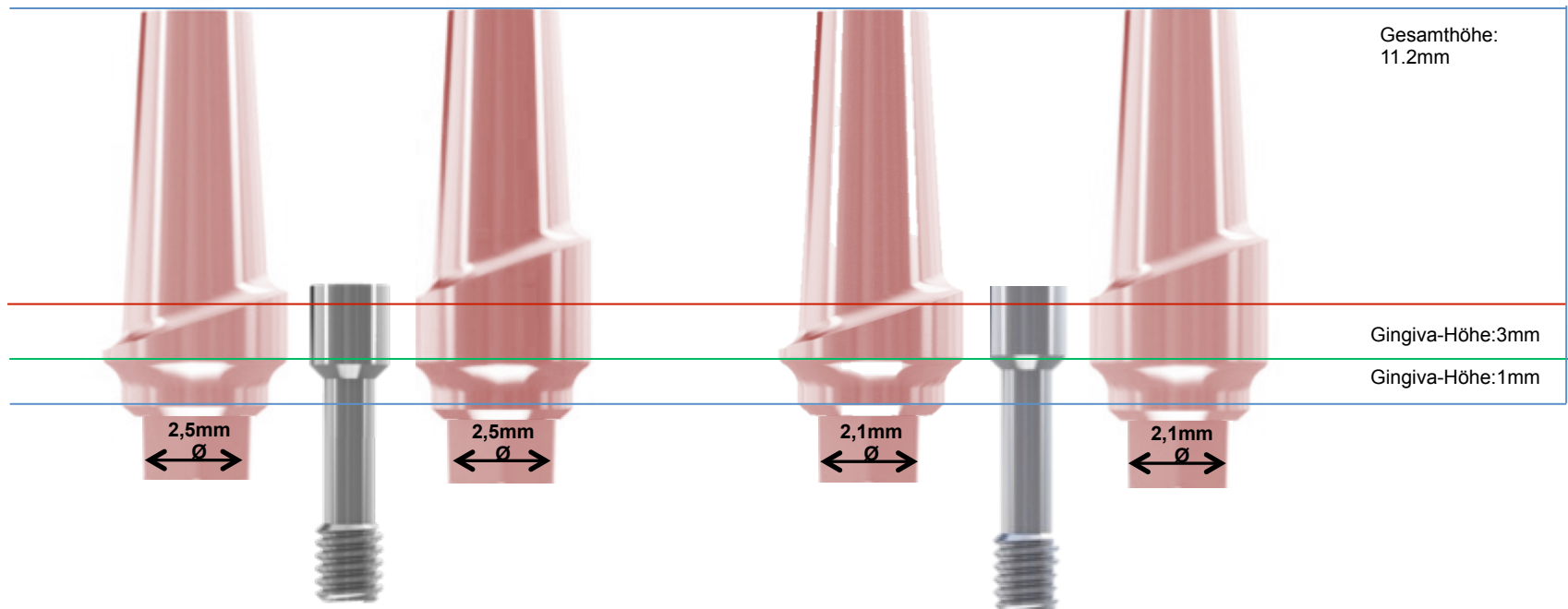


Cemented Retained Prosthetic

Permanent treatment – TRI[®]-Vent & TRI[®]-Narrow



- Pink anodized, for better esthetic results – in the case of thin gingiva



TRI[®] -Vent

TRI[®] -Narrow



Replacement retaining screws - lab use

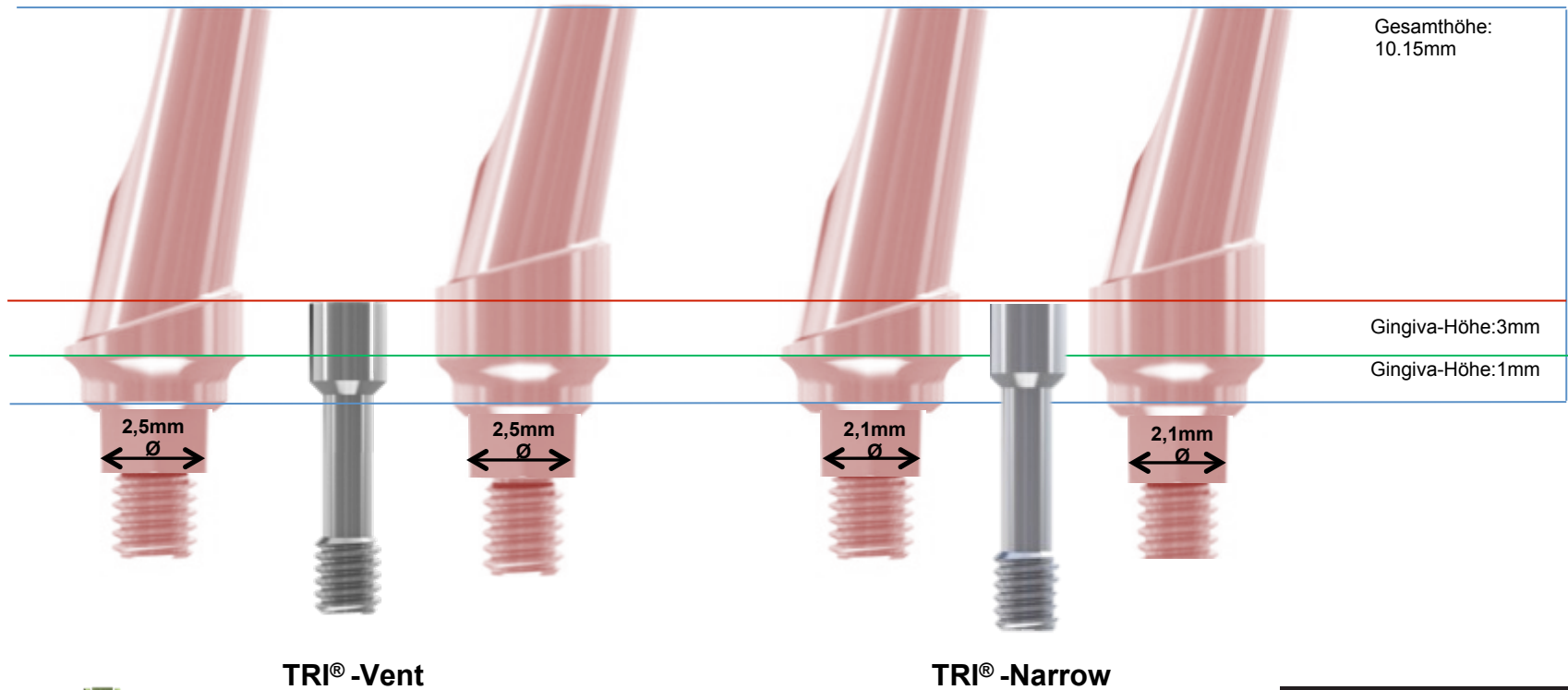
- Green

Cemented Retained Prosthetic

Permanent treatment – TRI[®]-Vent & TRI[®]-Narrow



- Pink anodized, for better esthetic results – in the case of thin gingiva



Replacement retaining screws - lab use

- Green

Cemented Retained Prosthetic

Temporary or permanent treatment

Product catalog: page 5 & 9

STRAIGHT ABUTMENT WITH TRI[®]-FRICTION - INCLUDES SCREW RS-TV10

Catalog Number		Ø	CH	Material	Qty
TV10-35-F	Straight Abutment with TRI [®] -Friction	3.5 mm		Ti-6Al-4V	1
TV10-50-F	Straight Abutment with TRI [®] -Friction	5.0 mm		Ti-6Al-4V	1
TV10-41-F	Contour Abutment, Straight with TRI [®] -Friction	4.5 mm	1.0 mm	Ti-6Al-4V	1
TV10-43-F	Contour Abutment, Straight with TRI [®] -Friction	4.5 mm	3.0 mm	Ti-6Al-4V	1
RS-TV10	Replacement Retaining Screw			Ti-6Al-4V	1
RS-TV10-Lab	Replacement Retaining Screw - Lab Use - Green			Ti-6Al-4V	1



ANGLED ABUTMENT WITH TRI[®]-FRICTION - INCLUDES SCREWS RS-TV10/RS-TV20

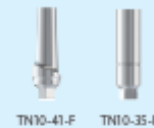
Catalog Number		Ø	CH	Material	Qty
TV20-50-F	Angled Abutment, Standard - 20° with TRI [®] -Friction	5.0 mm		Ti-6Al-4V	1
RS-TV20	Replacement Retaining Screw			Ti-6Al-4V	1
RS-TV20-Lab	Replacement Retaining Screw - Lab Use - Red			Ti-6Al-4V	1
TV20-41-F	Contour Abutment, Angled - 17° with TRI [®] -Friction	4.5 mm	1.0 mm	Ti-6Al-4V	1
TV20-43-F	Contour Abutment, Angled - 17° with TRI [®] -Friction	4.5 mm	3.0 mm	Ti-6Al-4V	1
RS-TV10	Replacement Retaining Screw			Ti-6Al-4V	1
RS-TV10-Lab	Replacement Retaining Screw - Lab Use - Green			Ti-6Al-4V	1



CH = Cuff Height

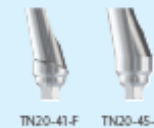
STRAIGHT ABUTMENT WITH TRI[®]-FRICTION - INCLUDES SCREW RS-TN10

Catalog Number		Ø	CH	Material	Qty
TN10-35-F	Straight Abutment with TRI [®] -Friction	3.5 mm		Ti-6Al-4V	1
TN10-41-F	Contour Abutment, Straight with TRI [®] -Friction	4.0 mm	1.0 mm	Ti-6Al-4V	1
TN10-43-F	Contour Abutment, Straight with TRI [®] -Friction	4.0 mm	3.0 mm	Ti-6Al-4V	1
RS-TN10	Replacement Retaining Screw			Ti-6Al-4V	1
RS-TN10-Lab	Replacement Retaining Screw - Lab Use - Green			Ti-6Al-4V	1



ANGLED ABUTMENT WITH TRI[®]-FRICTION - INCLUDES SCREW RS-TN10/RS-TN20

Catalog Number		Ø	CH	Material	Qty
TN20-45-F	Angled Abutment, 20° with TRI [®] -Friction	4.5 mm		Ti-6Al-4V	1
RS-TN20	Replacement Retaining Screw			Ti-6Al-4V	1
RS-TN20-Lab	Replacement Retaining Screw - Lab Use - Red			Ti-6Al-4V	1
TN20-41-F	Contour Abutment, Angled - 17° with TRI [®] -Friction	4.0 mm	1.0 mm	Ti-6Al-4V	1
TN20-43-F	Contour Abutment, Angled - 17° with TRI [®] -Friction	4.0 mm	3.0 mm	Ti-6Al-4V	1
RS-TN10	Replacement Retaining Screw			Ti-6Al-4V	1
RS-TN10-Lab	Replacement Retaining Screw - Lab Use - Green			Ti-6Al-4V	1



CH = Cuff Height

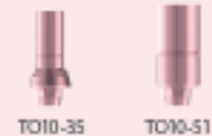
Cemented Retained Prosthetic

Temporary or permanent treatment

Product catalog: page 12

STRAIGHT ABUTMENT WITH TRI®-FRICTION - INCLUDES SCREW RS-TO

Catalog Number		Ø	GH	Material	Qty
TO10-35	Straight Abutment	3.5 mm		Ti-6Al-4V	1
TO10-51	Straight Abutment	5.1 mm		Ti-6Al-4V	1
RS-TO	Replacement Retaining Screw			Ti-6Al-4V	1



ANGLED ABUTMENT WITH TRI®-FRICTION - INCLUDES SCREW RS-TO

Catalog Number		Ø	GH	Material	Qty
TO20-51	Angled Abutment, Standard - 20°	5.1 mm		Ti-6Al-4V	1
RS-TO	Replacement Retaining Screw			Ti-6Al-4V	1

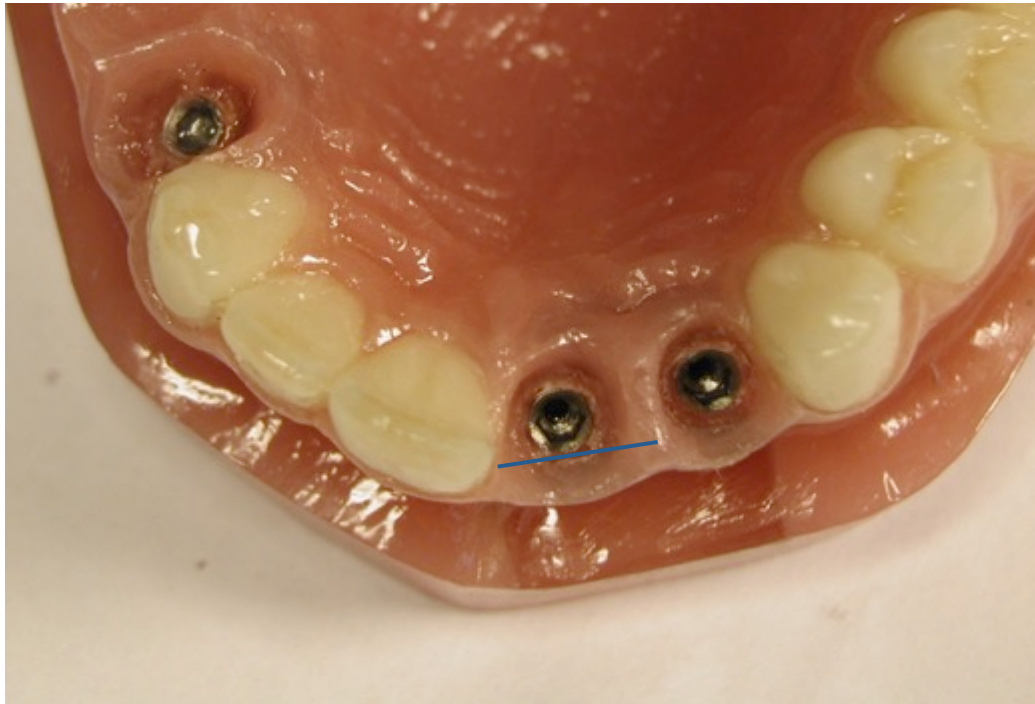


TO20-51

GH = Cuff Height

Cemented Retained Prosthetic

Final treatment – TRI[®]-Vent & TRI[®]- Narrow



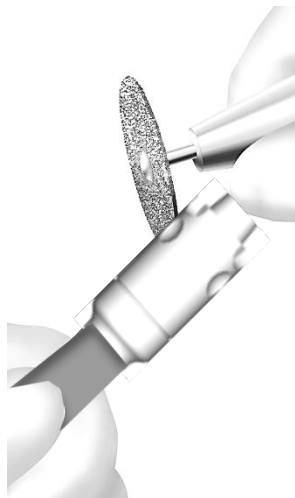
The hex of the implant has to be orientaded at the time of surgery, so that the flat surface of one side of the hexagon shows toward labial or buccal (6 positions).

Cemented Retained Prosthetic Abutment – Holder for TRI®-Vent

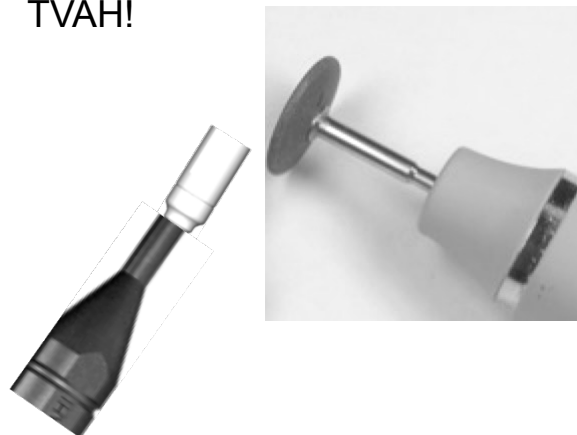
The Abutment - Holder for TRI®-Vent (TVAH)
is an auxiliary tool for grinding the TRI® - titanium abutments
for cemented retained treatments.

It is used:

- in a dentists office, for the chairside treatment
- in a dental laboratory



Preparation a
titanium-abutments
With the Abutment-Holder
TVAH!



TRI[®] Implants

Soft Tissue Concept



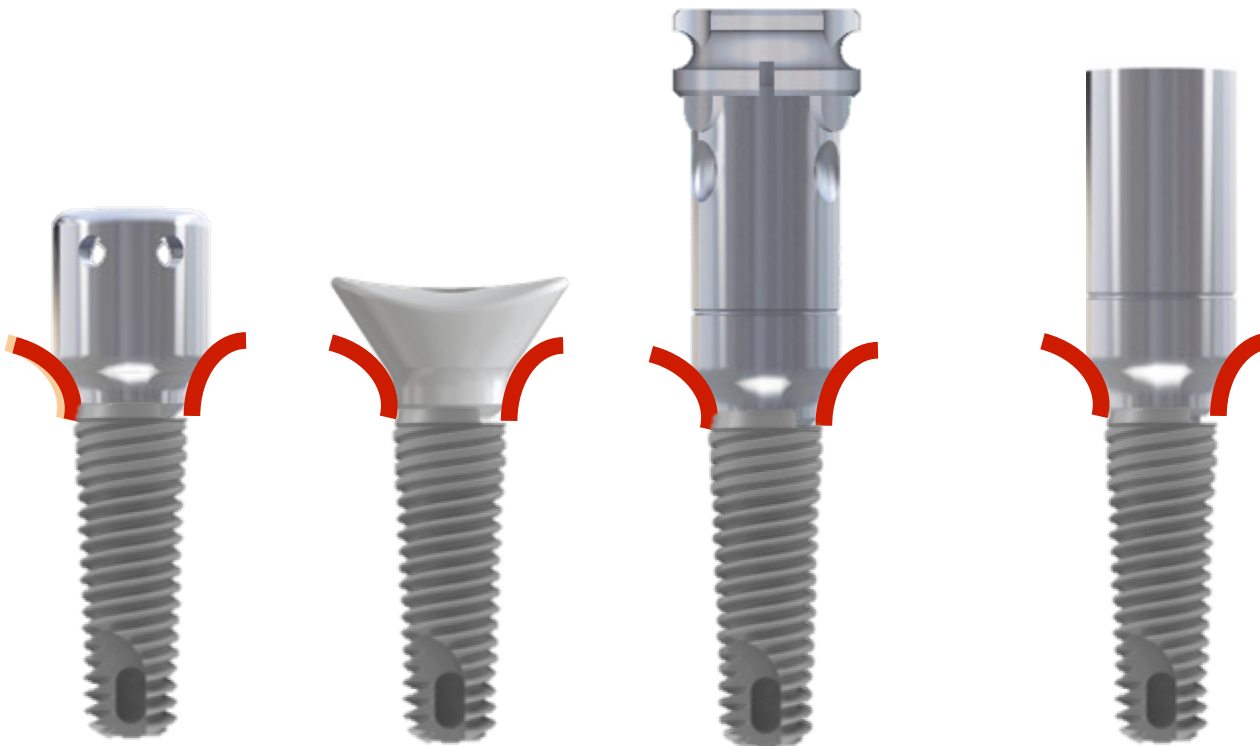
Diameter
of the
Healing Collar

=

Diameter
of the
Impression Post

=

Diameter
of the
Abutment



The Soft Tissue concept is characterized by the uniform contouring and diameter of all components.

Cemented Retained Prosthetic Abutment – Holder for TRI®-Vent

Abutment - Holder

- TVAH; only for TRI-Vent



The holder is a very solid tool made from stainless steel, which fits comfortably in the hand of a user.

The abutment can be screwed firmly on it.



As a result, an abutment can be processed relatively vibration-free.

Advantage over the competing product from Zimmer Dental!

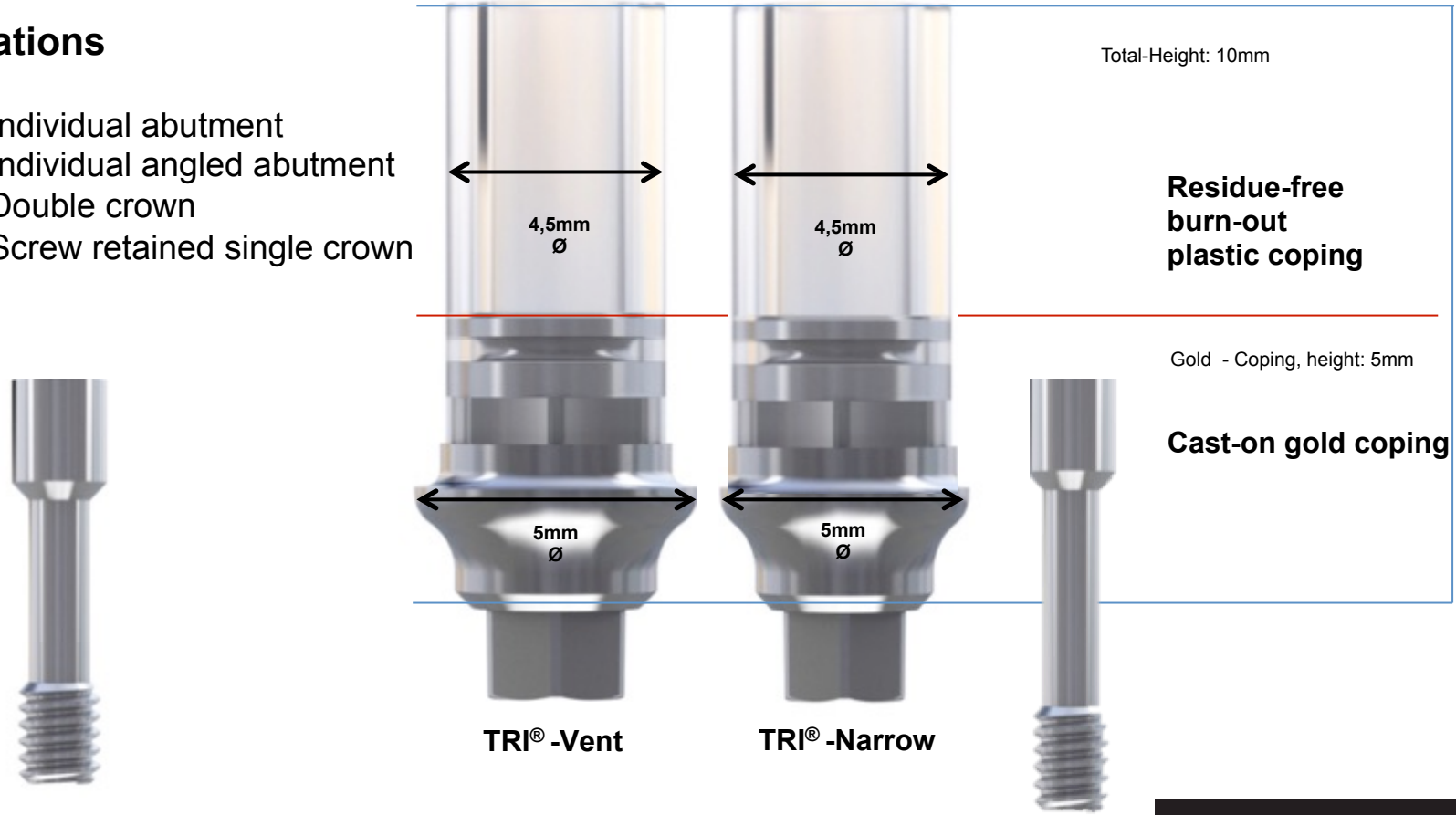
Individual Restoration

TRI[®] Cast-On Gold abutment - engaging
TRI[®]-Vent & TRI[®]-Narrow



Indications

- Individual abutment
- Individual angled abutment
- Double crown
- Screw retained single crown



Total-Height: 10mm

Residue-free
burn-out
plastic coping

Gold - Coping, height: 5mm

Cast-on gold coping

TRI[®] -Vent

TRI[®] -Narrow



Replacement retaining screw - lab use
• green



Replacement retaining screw - lab use
• red

Individual Restoration

TRI[®] Cast-On Gold abutment - engaging



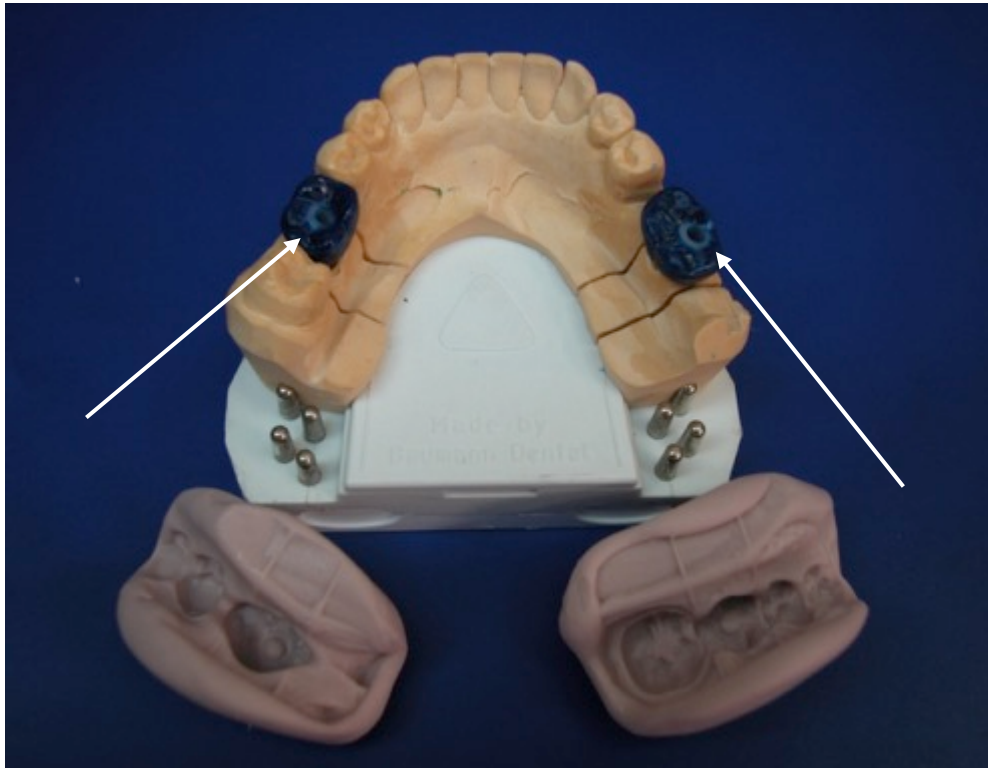
Individual Restoration

TRI[®] Cast-On Gold abutment - engaging



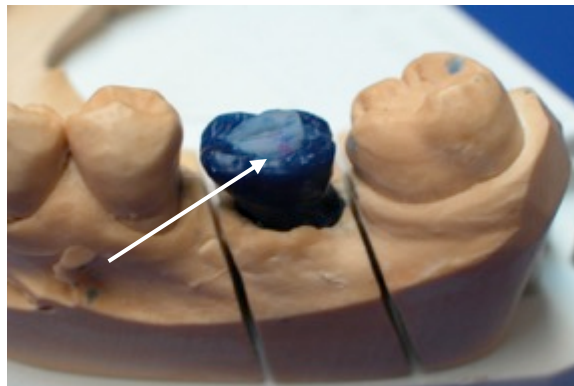
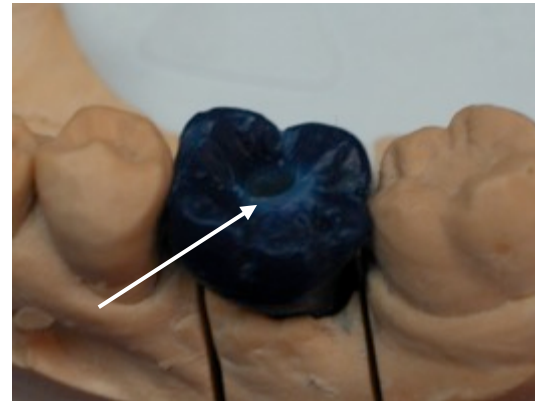
Individual Restoration

TRI® Cast-On Gold abutment - engaging



Individual Restoration

TRI[®] Cast-On Gold abutment - engaging



Individual Restoration

TRI[®] Cast-On Gold abutment - engaging



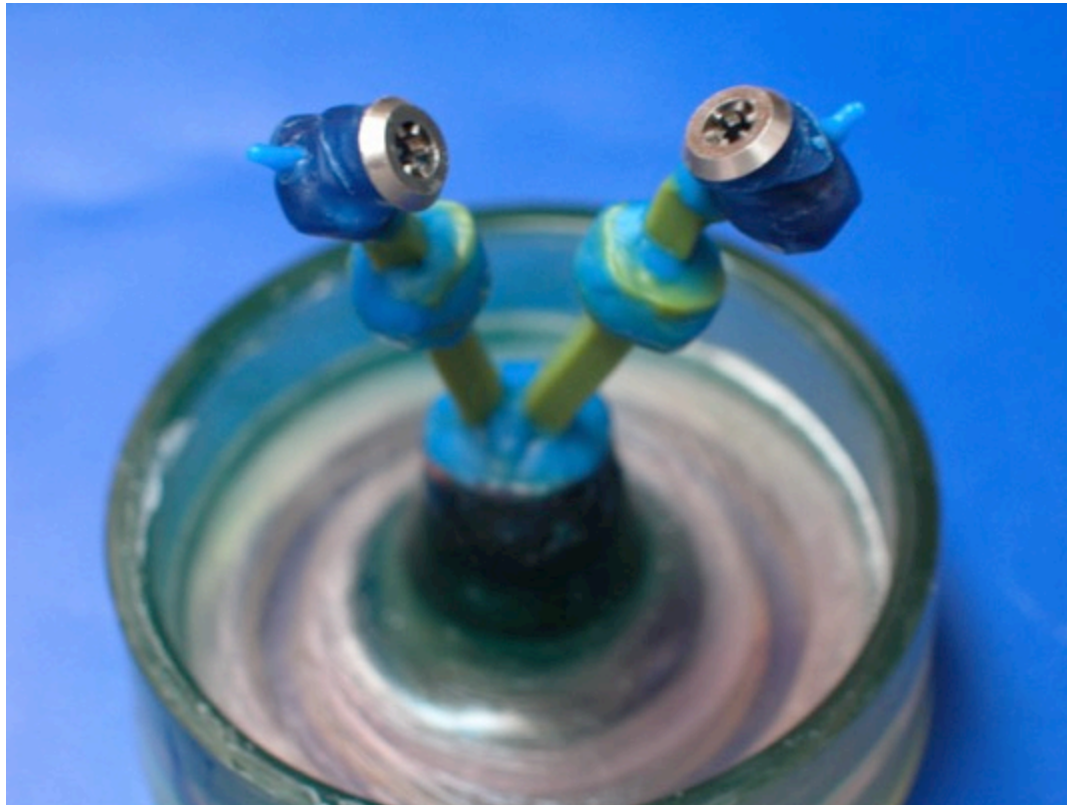
Individual Restoration

TRI[®] Cast-On Gold abutment - engaging



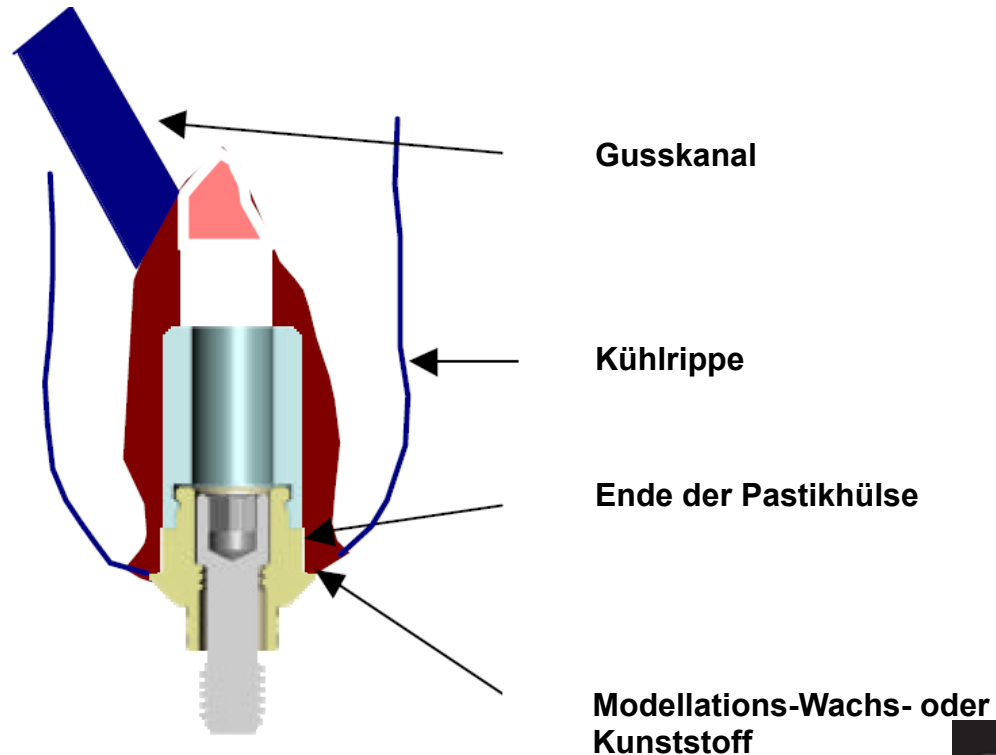
Individual Restoration

TRI[®] Cast-On Gold abutment - engaging



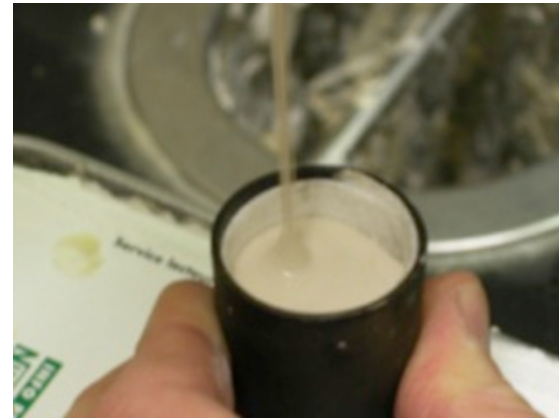
Individual Restoration

TRI® Cast-On Gold abutment - engaging



Individual Restoration

TRI® Cast-On Gold abutment - engaging



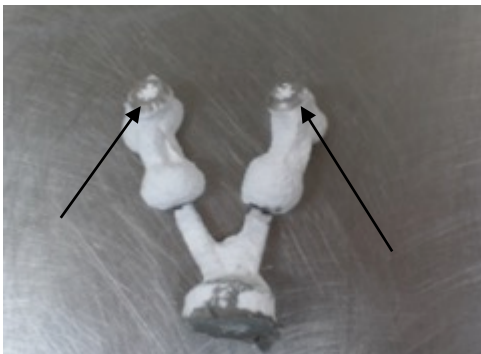
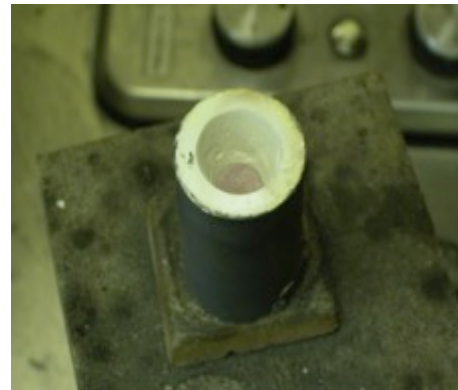
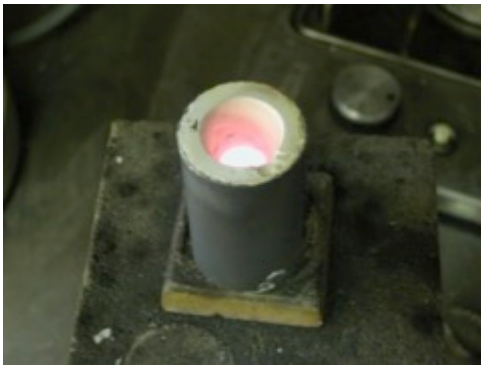
Individual Restoration

TRI® Cast-On Gold abutment - engaging



Individual Restoration

TRI® Cast-On Gold abutment - engaging



Individual Restoration

TRI® Cast-On Gold abutment - engaging



Individual Restoration



TRI[®] Cast-On Gold abutment - engaging



Individual Restoration



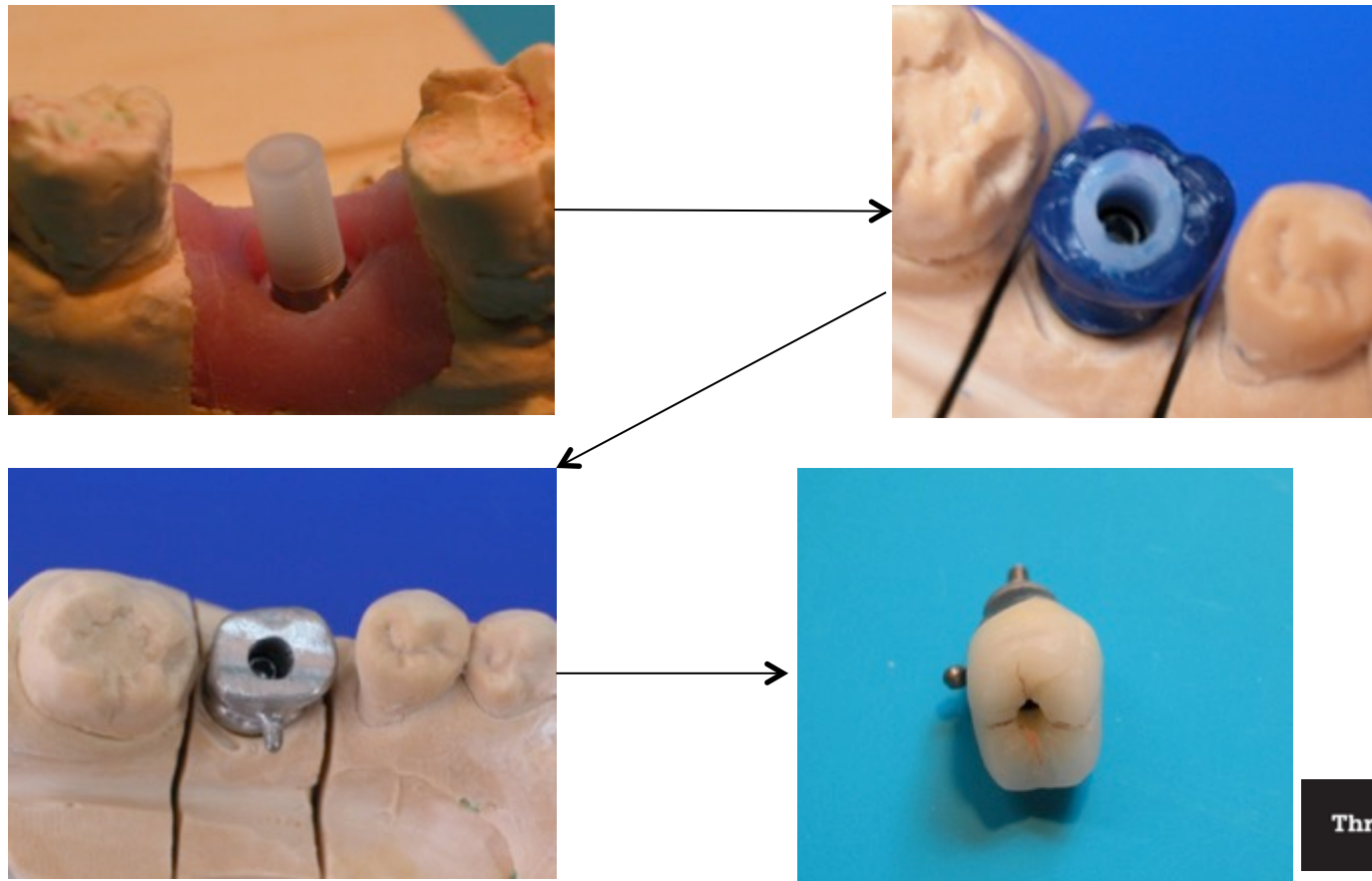
TRI® Cast-On Gold abutment - engaging



Individual Restoration



TRI® Cast-On Gold abutment - engaging



Individual Restoration

**TRI® Cast-On Gold abutment - engaging
TRI®-Vent & TRI®-Narrow**

Gold Coping

Alloy

Au	60%
Pt	19%
Pd	20%
Ir	1%

Melting Interval

Coefficient of Expansion

Colour

Weight of the coping

Residue-free burn-out plastic coping

Polyoxymethylen (POM)

1070 - 1150° C

linear 14,2

white gold

TV30-50-F 0,50g

TN30-45-F 0,43g



Individual Restoration

TRI[®] Cast-On Gold abutment - engaging TRI[®]-Vent



Platin/Iridium Coping

Alloy

Pt	90%
Ir	10%

Melting Interval

Coefficient of Expansion

Density

Tensile modulus

Colour

Weight Platin/Iridium-Coping

rückstandsfrei ausbrennbare Plastikhülse

Material Polyoxymethylen (POM)

1770 - 1800° C

linear 8,8

21,6g/cm³

220GPa

silberweiß



Cemented Retained Prosthetic

Temporary or permanent treatment

Product catalog: page 6 & 9

GOLD ABUTMENT, ENGAGING - INCLUDES SCREW RS-TV10

Catalog Number		Ø	Material	Qty
TV30-50-F	Gold Castable Abutment with TRI®-Friction	5.0 mm	HMA	1
RS-TV10	Replacement Retaining Screw		Ti-6Al-4V	1
RS-TV10-Lab	Replacement Retaining Screw - Lab Use - Green		Ti-6Al-4V	1



TV30-50-F

Components for Custom Restorations

GOLD ABUTMENT, ENGAGING - INCLUDES SCREW RS-TN10

Catalog Number		Ø	Material	Qty
TN30-45-F	Gold Castable Abutment with TRI®-Friction	4.5 mm	HMA	1
RS-TN10	Replacement Retaining Screw		Ti-6Al-4V	1
RS-TN10-Lab	Replacement Retaining Screw - Lab Use - Green		Ti-6Al-4V	1



TN30-45-F